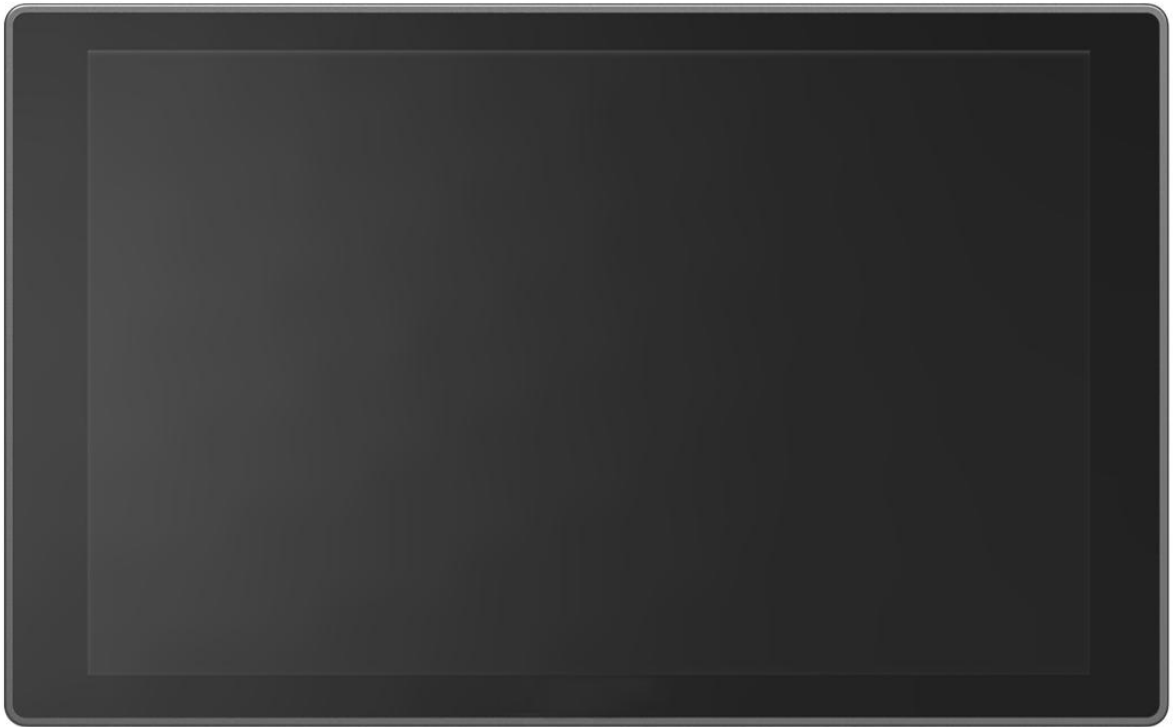


Instruction Manual



IMPORTANT SAFETY INSTRUCTIONS:



The device has been tested for conformance to safety regulations and requirements, and has been certified for international use. However, like all electronic equipment, the device should be used with care. Please read and follow the safety instructions to protect yourself from possible injury and to minimize the risk of damage to the unit.

- Please do not place the display screen towards the ground to avoid scratching the LCD surface.
- Please avoid heavy impact.
- Please do not use chemical solutions to clean this product. Simply wipe with a clean soft cloth to maintain the brightness of the surface.
- Please do not block any vent hole.
- Please follow the instructions and trouble-shooting to adjust the product.
- Internal adjustments or repairs must be performed by a qualified technician.
- Please keep user guide for future reference.
- Please unplug the power and remove the battery if long-term no-use, or thunder weather.

CONTENTS

1. PRODUCT DESCRIPTION.....	3
1.1 Overview.....	3
1.2 Main Features.....	3
2. CONNECTIONS AND CONTROLS.....	4
3. DV BATTERY MOUNT PLATE.....	6
4. MENU SETTING.....	6
4.1 Shortcut Keys.....	7
4.1.1 Dial.....	7
4.1.2 F1-F2.....	7
4.2 Menu Operation.....	7
4.2.1 Picture.....	7
4.2.2 Marker.....	9
4.2.3 Function.....	11
4.2.4 Assistant.....	12
4.2.5 Audio.....	15
4.2.6 PC.....	16
4.2.7 System.....	16
5. PARAMETERS.....	18
6. ACCESSORIES.....	18
7. TROUBLE SHOOTING.....	19

1. PRODUCT DESCRIPTION

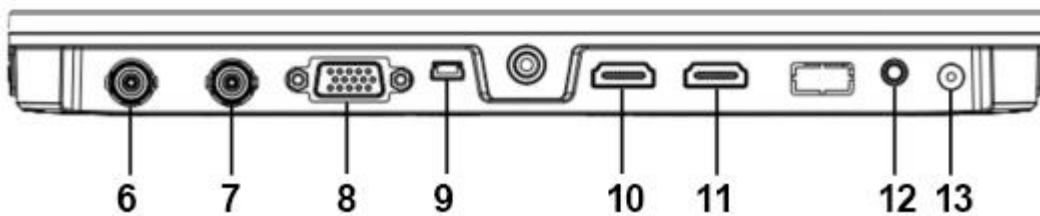
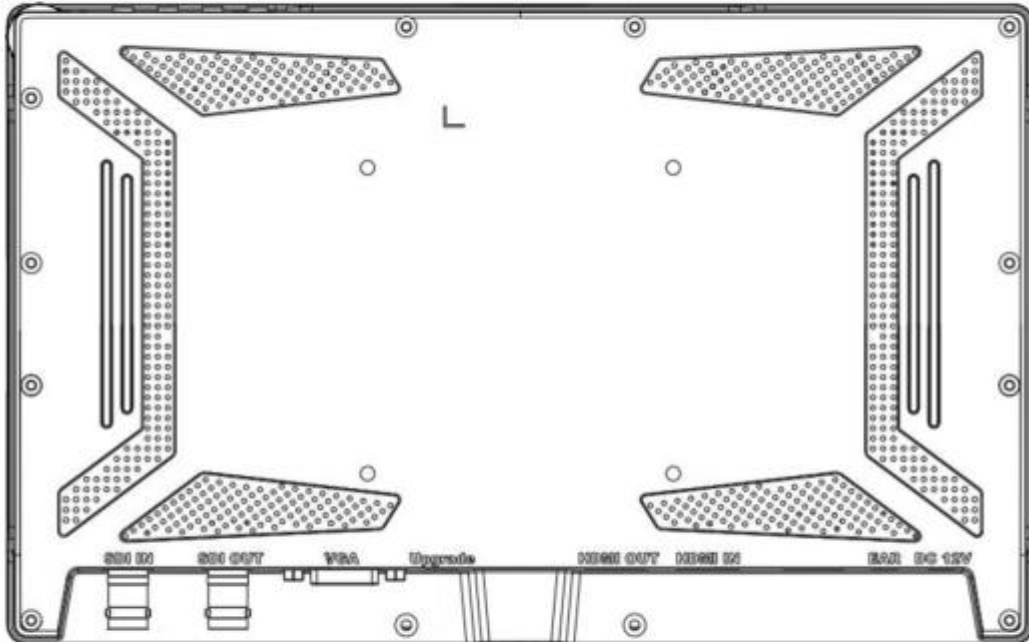
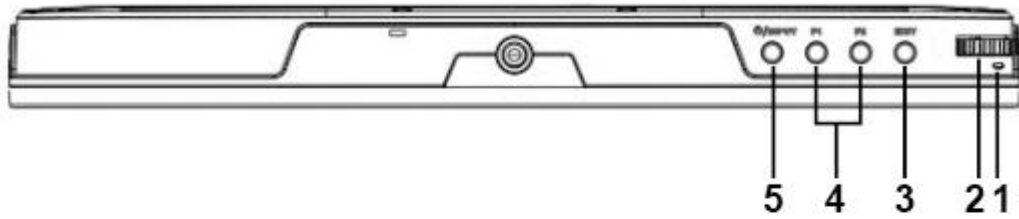
1.1 Overview

The 10.1" monitor A11, matches with world-famous 4K / FHD camera brands, to assist cameraman in better photography experience for variety of applications, i.e. filming on site, broadcast live action, making movies and post-production, etc.


1.2 Main Features

- High resolution of 1920x1200 pixels
- High contrast: 1000:1
- Support 4K HDMI input with loop-through output
- Support 3G-SDI input with loop-through output
- Support VGA input
- Adopt the unique Glass+Glass technology
- F1&F2 user-definable buttons to custom auxiliary functions as shortcut
- Individual adjustments of Brightness, Contrast, Brightness, Saturation, Sharpness and Color Temp, etc.
- Integrated Peaking, False Color, Exposue, Histogram, Level meter, Marker, Scan, Check Field, Zoom, Freeze, Image Flip functions , etc.
- Includes battery plates for Sony F-970
- Equipped with 75mm VESA holes
- Compatible with sunshade, that can be used under sunlight
- Built-in high level components to support 7 to 24V power supply voltage

2. CONNECTIONS AND CONTROLS

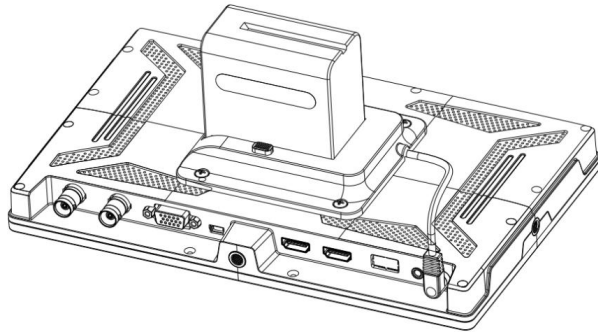


1. **Power Indicator**
 - Green light is power on.
2. **Menu Dial**
 - FN function: Dial left or right to adjust the volume when power on.
 - Menu function: Press to activate menu displayed on screen when power on.
 - Option function: Select option via dialing to the left or right.
 - Confirm function: Press to confirm after option selected.
3. **Exit**
 - Return.
 - Exit.

4. **F1,F2 User-definable Buttons**
 - F1: Scan.
 - F2: Mute.
5. **/Input**
 - Power.
 - Switch input signal after power on.
6. **SDI Input Interface**
 - Video and audio input from an SDI device
7. **SDI Output Interface**
 - Video and audio output from an SDI device
8. **VGA Input Interface**
 - Video input from an VGA device.
9. **Mini USB Port**
 - Only for system upgrade
10. **HDMI Output Interface**
 - Video and audio output from an HDMI device.
11. **HDMI Input Interface**
 - Video and audio input from an HDMI device.
12. **Earphone Jack**
 - 3.5mm headphone socket. Internal speaker circuit will automatically mute when earphone jack is connected.
13. **DC Power Input**
 - DC In socket for connecting power supply.

3. DV BATTERY MOUNT PLATE

3.1 Standard mounts process



Battery of SONY DV:

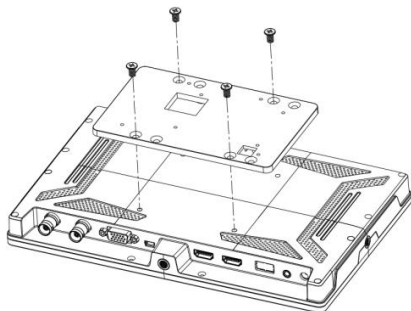
DCR-TRV series , DCR-TRV E series , VX2100E PD P series , GV-A700 , GV-D800

FD/CCD-SC/TR3/FX1E/HVR-AIC , HDR-FX1000E , HVR-Z1C , HVR-V1C , FX7E F330

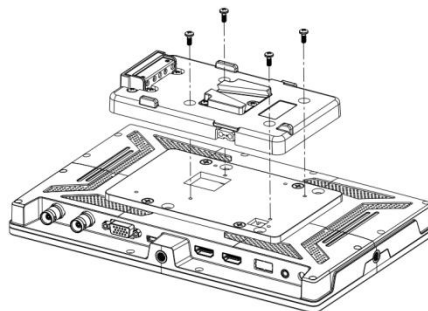
3.2. V-MOUNT battery plate (optional)

Please refer to GP-L130AB type battery specifications.

Plate Racket



V mount Battery Plate

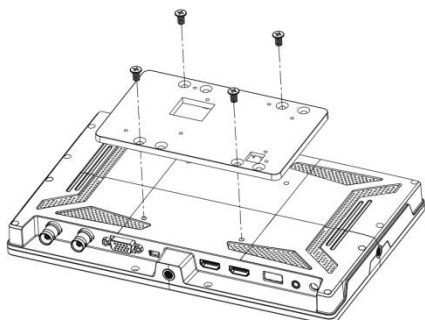


GP-L130AB

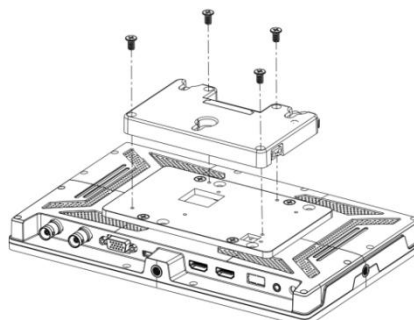
3.3. Anton Bauer mount battery plate (optional)

Please refer to GP-L130B type battery specifications.

Plate Racket



Anton Bauer Mount Bttery Plate



GP-L130B

Before setting the functions, please make sure the device is connected correctly.

4.1 Shortcut Keys

4.1.1 Dial

Dialing to the left or right when power on, volume will appear at the bottom of the screen. Then press the dial to switch among of volume, brightness, contrast, saturation, tint, sharpness and exit. User can adjust the value of the selected option via the dial.

4.1.2. F1-F2

Slide and press the dial to select System- > F1&F2 configuration. Slide the dial to select the option and press again to confirm it.

The user-definable functions can be customized as Center Marker, Aspect Marker, Grid, Check Field, Display Scan, Scan, Aspect, DSLR, Freeze, Image Flip, Peaking, False Color, Exposure, Histogram, Mute, Level Meter.

Default function: F1 Peaking F2 Level Meter

When power on, press the dial on the device to activate the menu setting.

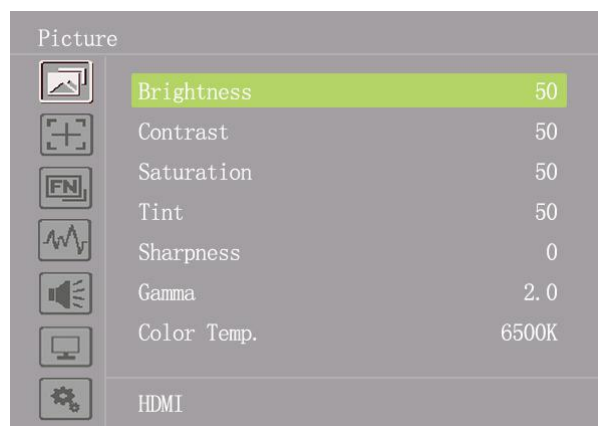
Dial left or right to choose menu option and press it to confirm. The selected one will be green highlighted.

4.2 Menu Operation

When power on, press the dial on the device to activate the menu setting.

Dial left or right to choose menu option and press it to confirm. The selected one will be green highlighted.

4.2.1. Picture



ITEMS	OPTIONS		
Brightness	0 – 100		
Contrast	0 – 100		
Saturation	0 – 100		
Tint	0 – 100		
Sharpness	0 – 100		
Color Temp.	6500 K/7500 K/9300 K/USER		
	Red gain	0 - 255	Note: Only available when under "User" mode to choose the color value needed.
	Green gain	0 - 255	
	Blue gain	0 - 255	
	Red offset	0 - 511	
	Green offset	0 - 511	
	Blue offset	0 - 511	

- **Brightness**

Adjust the general brightness of the LCD. For example, if the user is outside in bright conditions, increase the LCD brightness to make it easier to view.

- **Contrast**

Increases or decreases the range between the bright and dark areas of the image. High contrast can reveal detail and depth in the image, and low contrast can make the image appear soft and flat.

- **Saturation**

Adjust the color intensity. Turn the knob right to increase the color intensity and turn left to decrease it.

- **Tint**

Use this setting to choose the tint from 0 to 100.

- **Sharpness**

Increase or decrease the sharpness of the image. Increase the sharpness to make the image clearer when the image sharpness is insufficient.

- **Color Temp.**

Adjust the color temperature to make the image warmer (Yellow) or colder (Blue). Increase the value to make the image be warmer, decrease the value to make the

image be colder. User can use this function to strengthen, weaken or balance the image color according requirements. The standard white light color temperature is 6500K.

Note: Only available under "User" mode to adjust Color Bias and Gain.

4.2.2. Marker



ITEMS	OPTIONS
Center Marker	Off, On
Aspect Marker	Off, 16:9, 1.85:1, 2.35:1, 4:3, 3:2, 1.3X, 2.0X, 2.0X MAG
Safety Marker	95%, 93%, 90%, 88%, 85%, 80%, Off
Marker color	Red, Green, Blue, White, Black
Grid	Off, On
Marker Mat.	On, 1-7
Thickness	2, 4, 6, 8

- **Center Marker**

Select On, it will appear "+" marker on center of screen.

- **Aspect Marker**

Display the different aspect of the displayed image.

[Off], [16:9], [1.85:1], [2.35:1], [4:3], [3:2], [1.3X], [2.0X], [2.0X MAG].



- **Safety Marker**

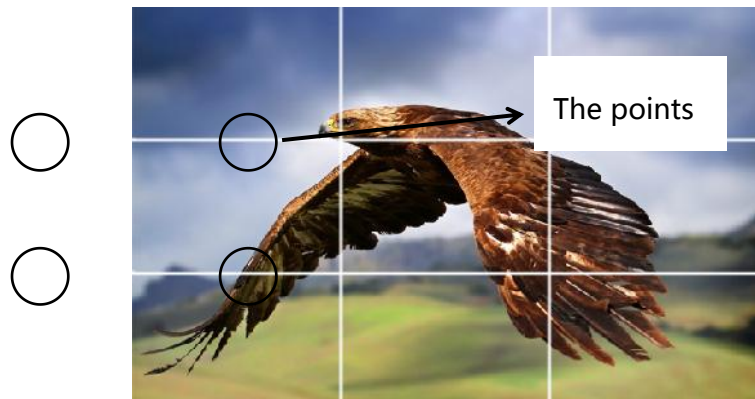
Used to select and control the size and availability of the safety area. Available types are [95%], [93%], [90%], [88%], [85%], [80%], [Off].

- **Grid**

The grid feature displays a "thirds" overlay with two vertical and horizontal lines placed in each third of the image. Select "ON" or "OFF" to view or hide the thirds overlay.

"Thirds" are an extremely powerful tool to help compose the shots. For example, the human eye typically looks for action near the points where the lines intersect, so it's help to frame key points of interest in these zones.

Note: The Center, Aspect, Safety Marker and Marker Mat. Is unavailable when activate Grid function.



- **Marker Color & Thickness**

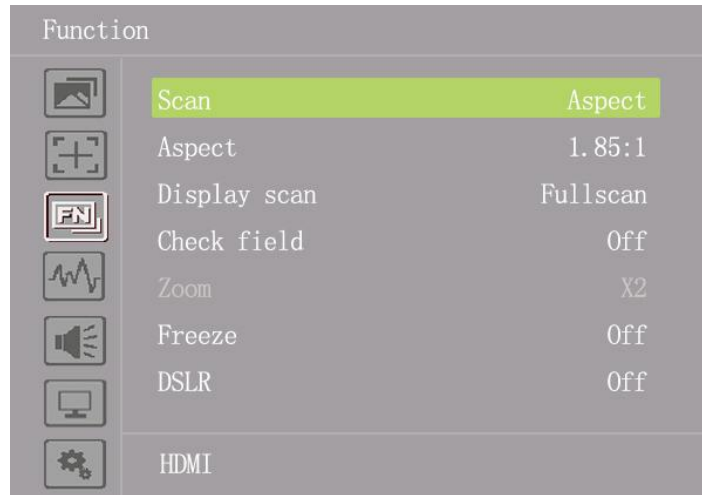
Marker Color controls the color of the marker lines and the thickness controls the thickness of the marker lines. Users can choose abundant ratios or colors according to different background colors when shooting.

- **Marker Mat.**

Marker Mat darkens the area of the outside of Aspect Marker.

Please note: Marker function is unavailable under PC mode.

4.2.3. Function



ITEMS	OPTIONS	
Scan	Aspect, Pixel to Pixel, Zoom	
Aspect	Full/16:9/1.85:1/2.35:1/4:3/3:2/1.3X/ 2.0X/2.0X MAG	Only available under Aspect Mode.
Display scan	Fullscan, Underscan, Overscan	
Check field	Off, Mono, Red, Green, Blue	
Zoom	X1.5/X2/X3/X4	Only available when the Scan is selected Zoom option.
Freeze	Off, On	
DSLR	Off, 5D2, 5D3	

- **Scan**

Use this menu option to choose Scan mode. There are three modes preset:

- **Aspect:**

Select Aspect under Scan option, then use Aspect option to switch between several aspect ratio setting. Users can select related aspect ratio according to different signal input to meet the best viewing experience.

For example:

In 4:3 mode, images are scaled up or down to fill the maximum 4:3 portion of the screen.

In 16:9 mode, images are scaled to fill the entire screen.

- **Pixel to Pixel**

The pixel to pixel is a monitor set to 1:1 pixel mapping with native fixed pixels, which avoids loss of sharpness due to scaling artifacts and normally avoids incorrect aspect ratio due to stretching.

- **Zoom**

The image can be enlarged by X1.5/X2/X3/X4 ratios. To select the "Zoom" under Scan, choose the times under Zoom option which underneath the Check Field option.

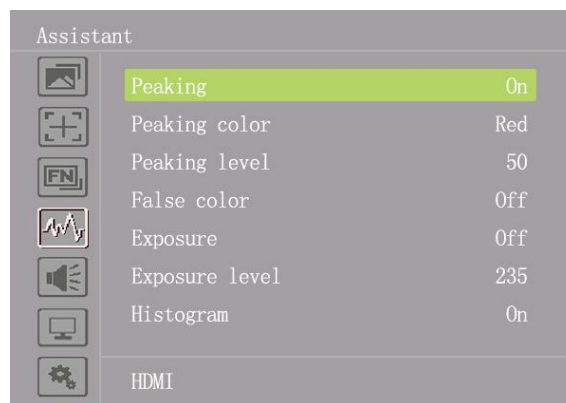
- **Freeze**

Freeze or unfreeze the current image on the screen.

- **DSLR**

Use the DSLR preset option to reduce the visibility of on screen indicators shown with popular DSLR cameras. The available options are: 5D2, 5D3.

4.2.4. Assistant



ITEMS	OPTIONS
Peaking	On, Off
Peaking color	Red, Green, Blue, White, Black
Peaking level	0-100
False color	On, Off
Exposure	On, Off
Exposure level	0-100
Histogram	On, Off

- **Peaking**

The peaking is used to aid the camera operator in obtaining the sharpest possible picture. Select "On" to display colored outlines around sharp areas of the image.

- **Peaking Color**

Use this setting to change the color of focus assist lines to Red, Green, Blue, White, Black. Changing the color of the lines can help make them easier to see against similar colors in displayed image.

- **Peaking Level**

Use this setting to adjust the level of focus sensitivity. If there are plenty of details of image with high contrast, it will display lots of focus assist lines that may cause visual interference. So, decrease the value of peaking level to reduce the focus lines to see clearly. Conversely, if the image has less detail with low contrast, it should be increase the value of peaking level to see the focus lines clearly.

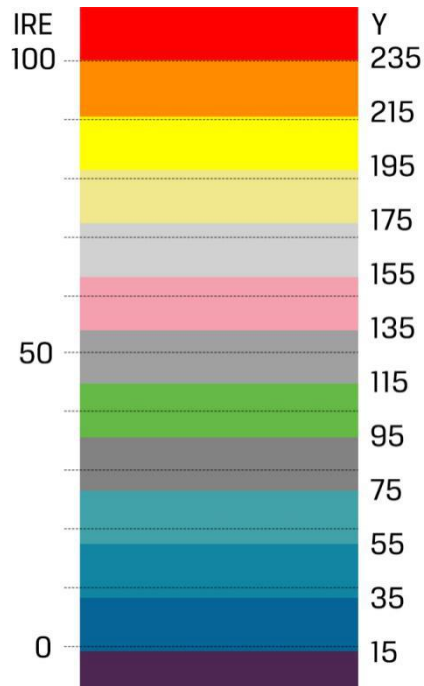


- **False Color**

This monitor has a false color filter to aid in the setting of camera exposure. As the camera Iris is adjusted, elements of the image will change color based on the luminance or brightness values. This enables proper exposure to be achieved without the use of costly, complicated external equipment.



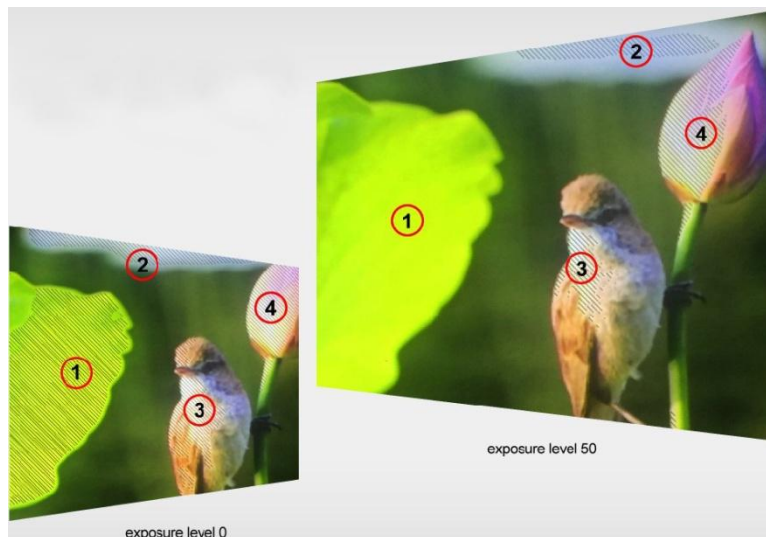
We have included a chart in this section that shows how the colors correspond to specific tonal values.



- **Exposure & Exposure Level**

The exposure feature helps the user achieve optimum exposure by displaying diagonal lines over areas of the image that exceed the setting exposure level.

The exposure level can be set to 0~100.

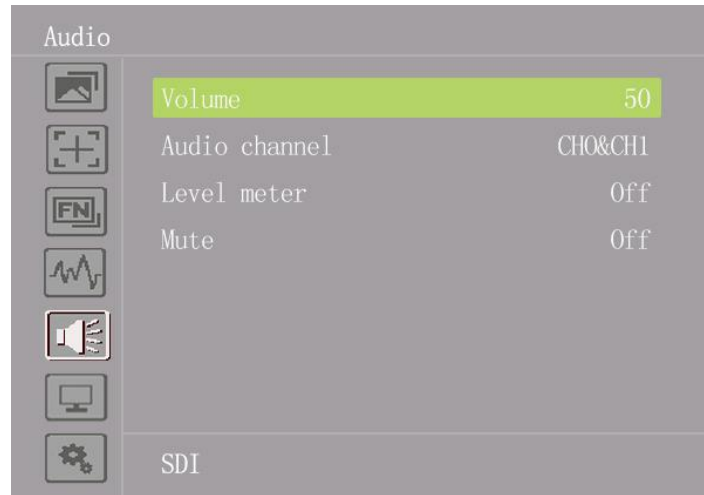


- **Histogram**

The histogram makes users view visually the exposure of whole and each RGM channels. It has the full contrast rang of video for easy color correction during post production.

Please note: The assistant function is unavailable when under PC mode.

4.2.5 Audio



ITEMS	OPTIONS	
Volume	0-100	
Audio Channel	CH0&CH1, CH2&CH3, CH4&CH5, CH6&CH7, CH8&CH9, CH10&CH11, CH12&CH13, CH14&CH15	Only available when under SDI mode
Level meter	Off, On	
Mute	Off, On	

- **Volume**

Adjust the volume for the built in speaker and earphone jack audio signal.

- **Audio Ch.**

Use this setting to choose the embedded audio channel for the audio out of the earphone:

[Ch1&Ch2], [Ch3&Ch4], [Ch5&Ch6], [Ch7&Ch8], [Ch9&Ch10],[Ch11&Ch12],
[Ch13&Ch14], [Ch15&Ch16].

Note: Only available under SDI mode.

- **Level Meter**

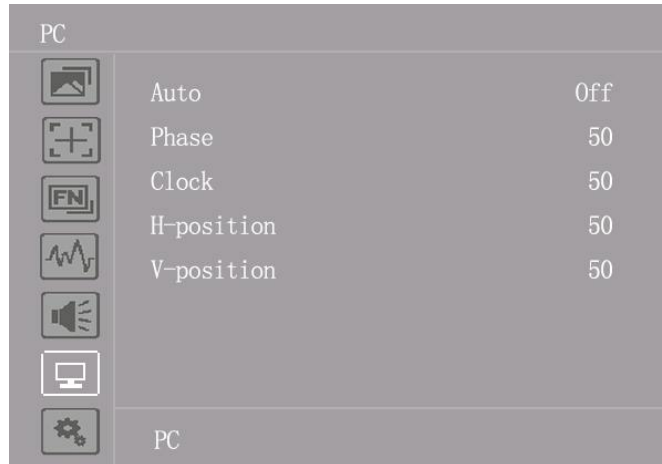
The left side of the screen displays level meters showing audio levels for the input source. It features peak hold indicators which stay visible for a short time so the user can clearly see the maximum levels reached. To achieve optimum audio quality, ensure your audio levels do not reach 0. This is the maximum level, meaning that

any audio that exceeds this level will be clipped, resulting in distortion. Ideally peak audio levels should fall in the upper end of the green zone. If the peaks enter into the yellow or red zones, the audio is in danger of clipping.

- **Mute**

Open or close the audio.

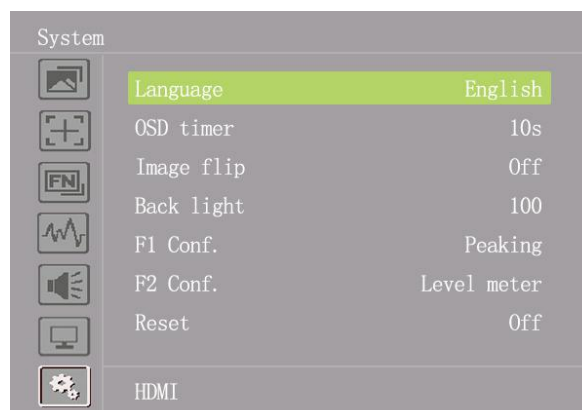
4.2.6. PC (Only for connecting to computer)



ITEM	OPTIONS
Auto	On, Off
Phase	0-100
Clock	0-100
H-position	0-100
V-position	0-100

Note: Only available under PC mode.

4.2.7. System



ITEM	OPTION
Language	English, Chinese
OSD timer	10s, 20s, 30s
Image flip	Off, H/V, H, V
Back light	0-100
F1 Conf.	Center Maker, Aspect Marker, Grid, Check Field, Display Scan, Scan, Aspect, DSLR, Freeze, Image Flip, Peaking, False Color, Exposure, Histogram, Mute, Level Meter
F2 Conf.	
Reset	Off, On

- **Language**

Switch between English, Chinese.

- **OSD timer**

It supports setting the exit time of OSD. For example, the OSD will be closed automatically after 10s if without any operation when selected 10s. It can be selected among 10s, 20s, and 30s.

- **Image flip**

Use this setting to activate or deactivate the Image Flip function. It has three modes to be chose: H/V, H, V

- **Back light**

Adjust the back light of display panel from 0-100.

- **F1&F2 Configuration**

Set the shortcut functions.

- **Reset**

If there is any problem unknown, press to confirm after selecting. The monitor will return to default set.

5. PARAMETERS

Display Screen	10.1 inch 8bits
Physical Resolution	1920x1200
Brightness	320cd/m ²
Contrast	1000:1
Viewing Angle	175°/175° (H/V)
Input Signal	HDMI, VGA, 3G-SDI
Output Signal	HDMI, 3G-SDI
Input Voltage	DC 7-24V
Power consumption	≤ 13W
Operating Temperature	0°C~50°C
Storage Temperature	-20°C~60°C
Dimension(LWD)	252×157×25mm
Weight	550g

6. ACCESSORIES

Standard

1. 12VDC Adapter 1pc
2. HDMI A/C Cable 1pc
3. VESA F970 Battery plate 1pc
4. Sun shade cover 1pc
5. Shoe mount 1pc
6. Manual 1pc

Optional

1. Anton Bauer mount 1pc
2. V-mount 1pc
3. Gimbal bracket 1pc

7. TROUBLE SHOOTING

- **Only black-and-white display:**

Check whether the color saturation is properly setup or not.

- **Power on but no pictures:**

Check whether the cables of HDMI, VGA and SDI are correctly connected or not.

Please use the standard power adapter coming with the product package. Improper power input may cause damage.


- **Wrong or abnormal colors:**

Check whether the cables are correctly and properly connected or not. Broken or loose pins of the cables may cause a bad connection.

- **When on the picture shows size error:**

Press “Menu → Display → Underscan” to zoom in/out pictures automatically when receiving HDMI signals

- **Other problems:**

Please press “” button and choose “Menu→System→ Reset →ON”.

- **Note: due to constant effort to improve products and product features, specifications may change without notice.**